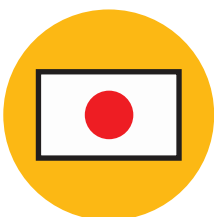


MOROOKA MST 1500VD



MADE IN JAPAN



PAYLOAD



CUMMINS DIESEL

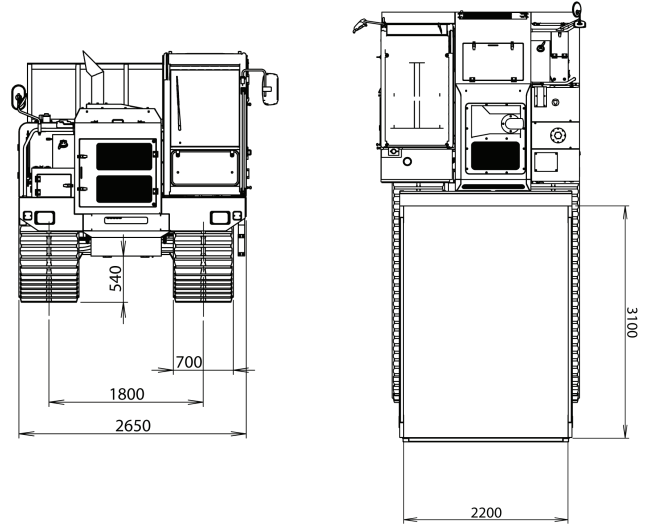
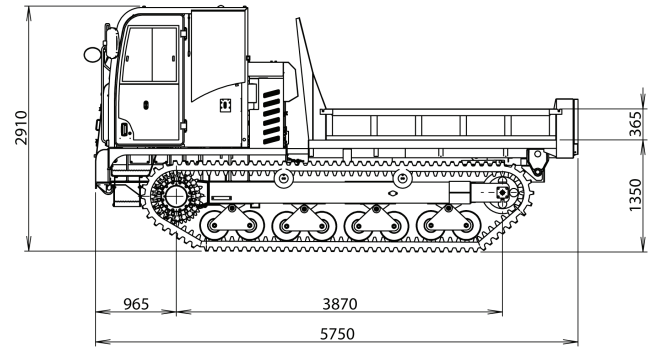


TRACK WIDTH

Specifications

Make	Morooka
Model	MST 1500VD
Payload	7000kg
Unladen Weight	10900kg
Maximum Speed	11 KPH / 6.8 MPH
Engine Make & Model	Cummins QSB6.7 T4F
Engine Type	6 cylinder liquid cooled diesel
Engine Power @ 2200rpm	168 KW / 225 HP
Ground Pressure Empty	24.8 KPA / 3.59 PSI
Ground Clearance	540 mm
Fuel Type	Diesel

MOROOKA
MST 1500VD



Dimensions

Overall Length	5750 mm
Overall Width	2650 mm
Overall Height	2910 mm
Track Centres	1800 mm
Track Width	700 mm
Dump Body Length Internal	3100 mm
Dump Body Width Internal	2200 mm

